

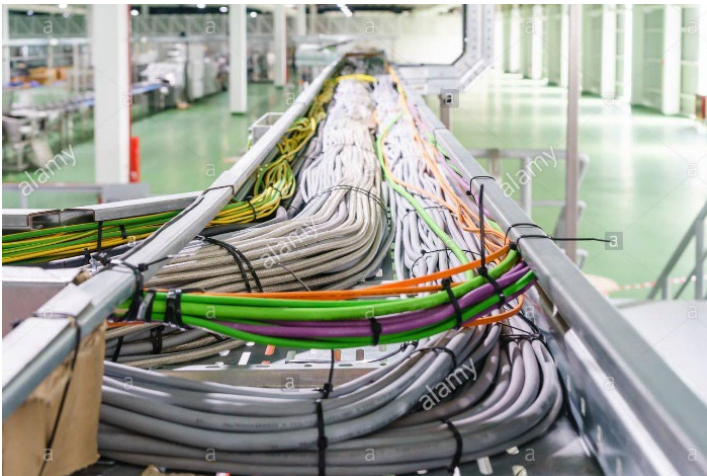


How Do You



Distribute
Power?

Traditional Hardwiring

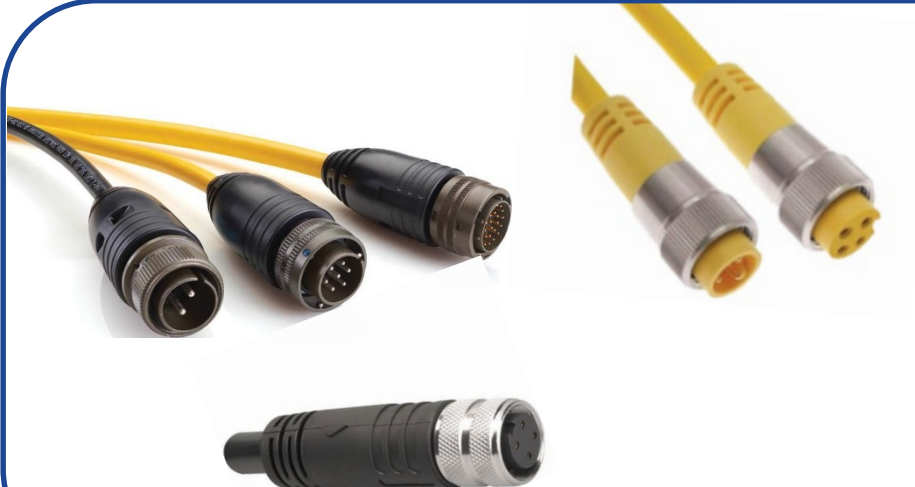


- Labor Intensive
- Non-flexible
- Downtime
- Lengthy Commissioning

Connectorized



- Labor Intensive
- Reinvent the Wheel
- Downtime



- Proprietary
- Long Lead Time
- Current Limited

Mini Power



Mini Power Offering



Cables



Receptacles



Accessories



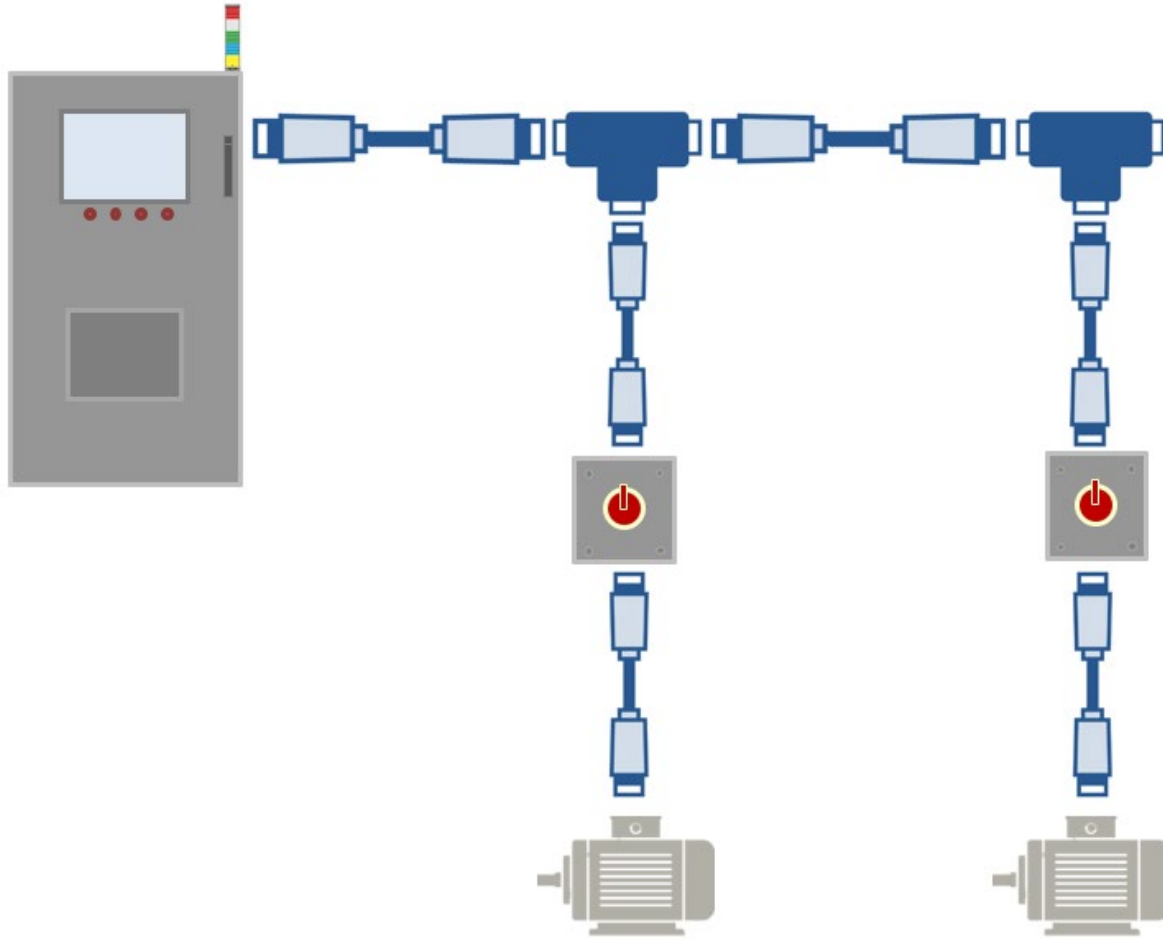
Single Phase

Pin Count	Thread	AWG	Amps	HP
3	1 3/8"	10	30	7-17
	7/8"	14	18	4-10

Three Phase

Pin Count	Thread	AWG	Amps	HP
4	1 3/8"	10	25	10-25
	7/8"	14	15	6-15

Mini Power Design



M12 Power



M12 Power Offering



Cables



Receptacles



Accessories



DC Power

AC Power

L-Code

16 Amp
63 Volt

T-Code

16 Amp
60 Volt

K-Code

16 Amp
630 Volt

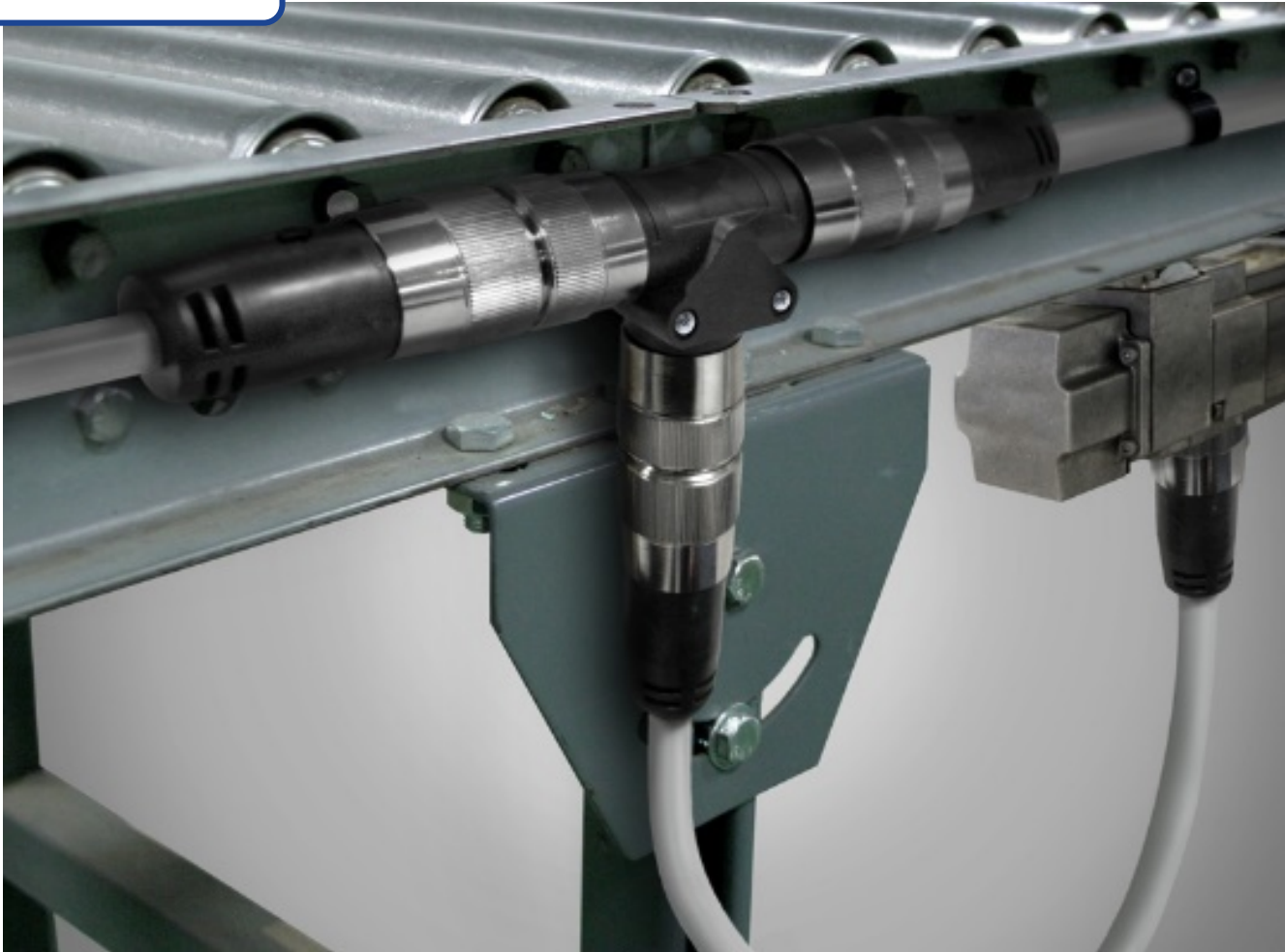
S-Code

16 Amp
630 Volt

Application Overview



Conveyors



Application Overview



Motors & VFDs



Application Overview



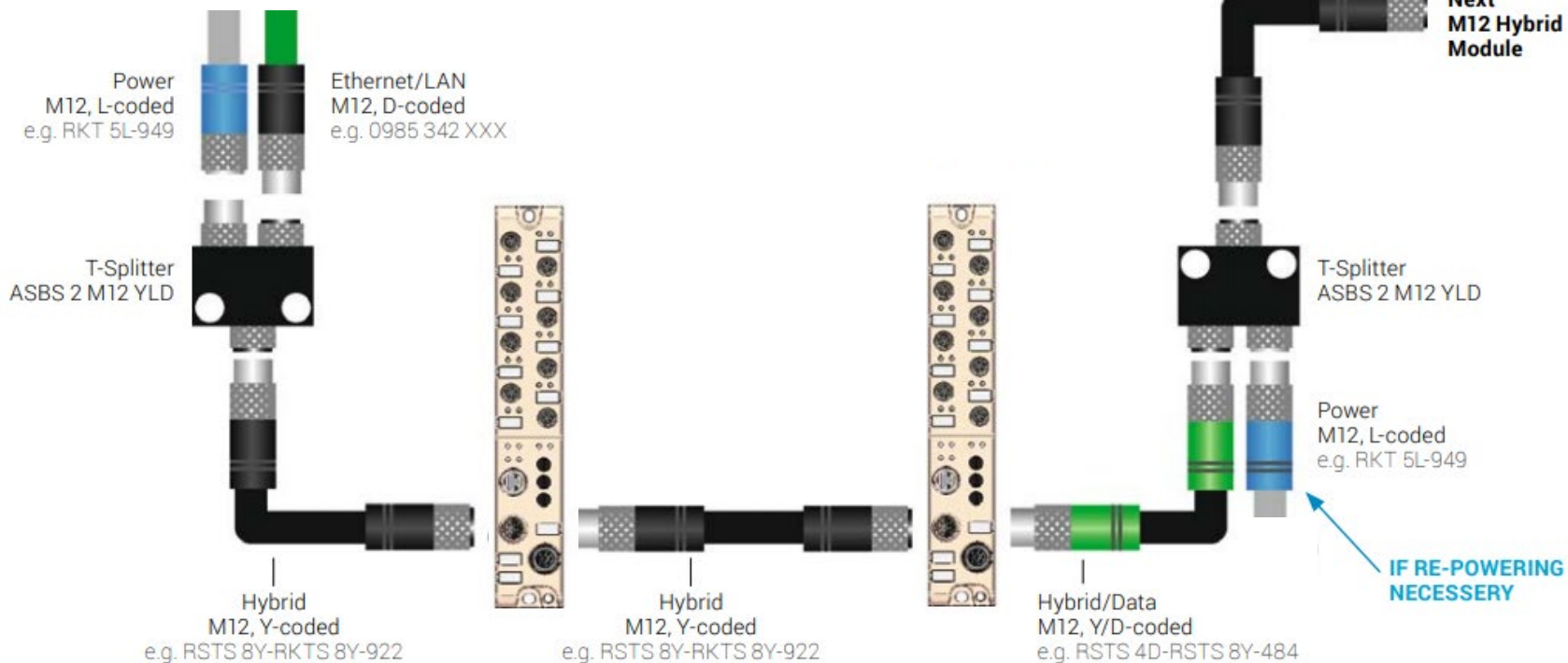
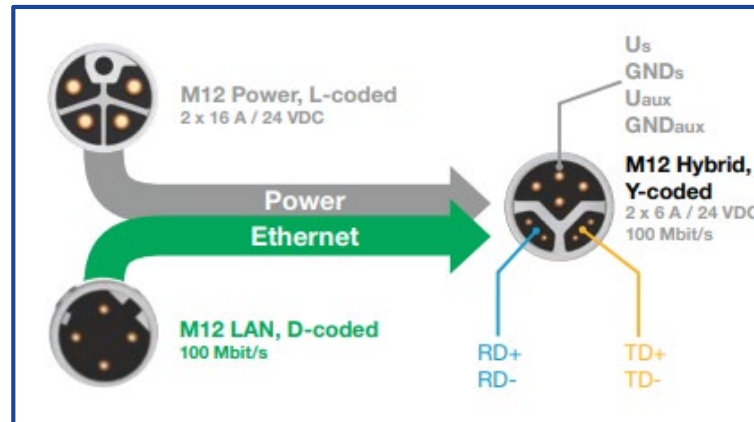
Lights



M12 Hybrid



M12 Hybrid Concept





**For More Information Please Contact
Your Barnum Salesman By Calling**

248.486.7300

Or Visit Us At

hhbarnum.com

Thank You For Attending